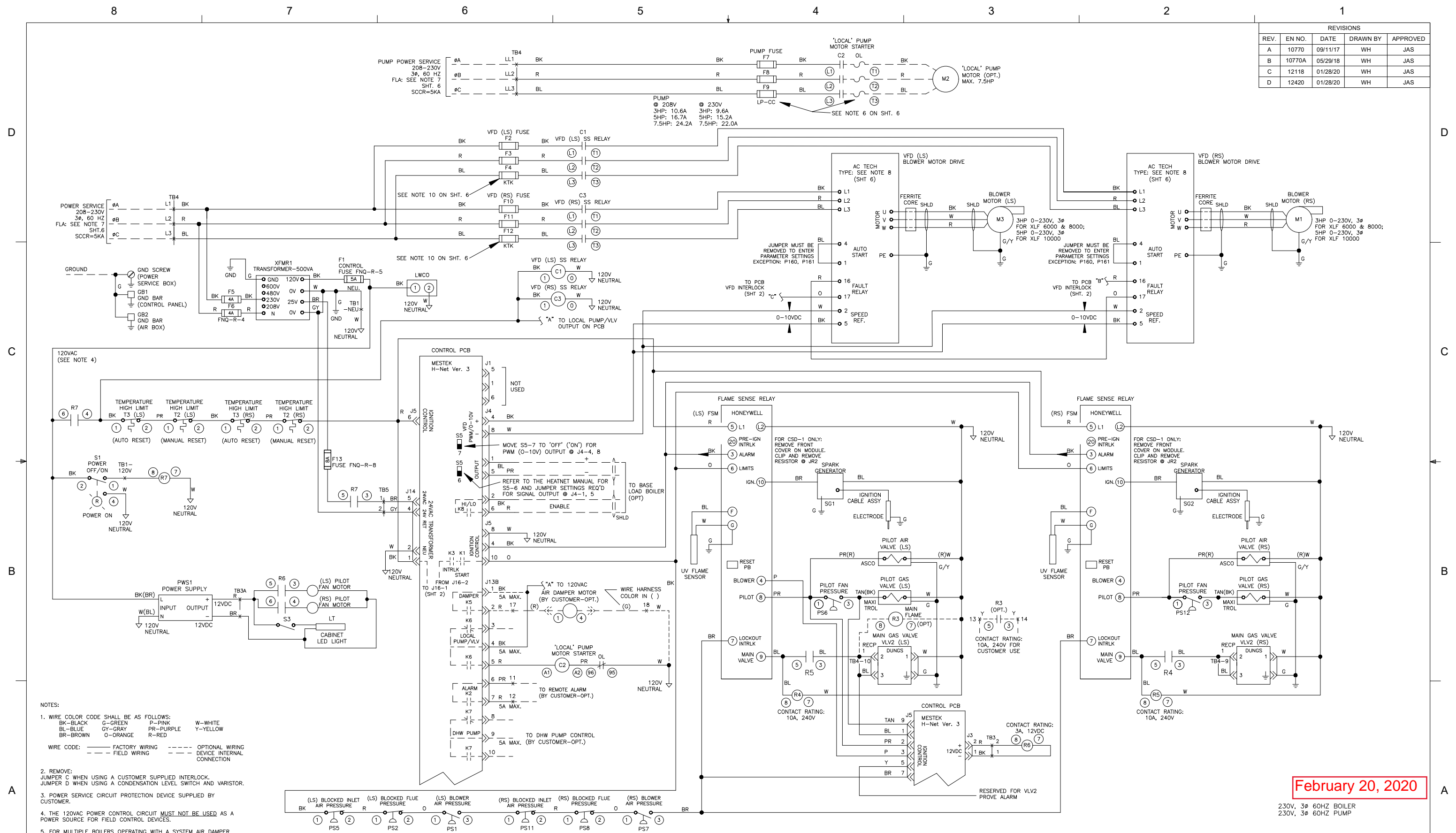


REVISIONS				
REV.	EN NO.	DATE	DRAWN BY	APPROVED
A	10770	09/11/17	WH	JAS
B	10770A	05/29/18	WH	JAS
C	12118	01/28/20	WH	JAS
D	12420	01/28/20	WH	JAS



- NOTES:
1. WIRE COLOR CODE SHALL BE AS FOLLOWS:
 BK-BLACK G-GREEN P-PINK W-WHITE
 BL-BLUE GR-GRAY PR-PURPLE Y-YELLOW
 BR-BROWN O-ORANGE R-RED
 2. REMOVE JUMPER C WHEN USING A CUSTOMER SUPPLIED INTERLOCK. JUMPER D WHEN USING A CONDENSATION LEVEL SWITCH AND VARISTOR.
 3. POWER SERVICE CIRCUIT PROTECTION DEVICE SUPPLIED BY CUSTOMER.
 4. THE 120VAC POWER CONTROL CIRCUIT MUST NOT BE USED AS A POWER SOURCE FOR FIELD CONTROL DEVICES.
 5. FOR MULTIPLE BOILERS OPERATING WITH A SYSTEM AIR DAMPER WHEN IN A MASTER/MEMBER CONFIGURATION: ADD A JUMPER FROM TERMINAL TB-16 ON THE MASTER BOILER TO TERMINAL TB-16 ON ALL MEMBER BOILERS.
 - 6, 7 ---
 8. HEATNET ONLINE, STAGE 2, 3, 4 AND SYSTEM PUMP 2 OUTPUTS ARE NOT AVAILABLE WITH THE H-NET 'LITE' CONTROL PCB.

February 20, 2020

230V, 3Ø 60HZ BOILER
230V, 3Ø 60HZ PUMP

LADDER DIAGRAM (NEXT SHEET 2)

DIVISION	PRODUCT	DRAWN BY	DATE	DRAWING DESCRIPTION			
RBI	MB 6000 TO 10000	WH	09/11/17	LADDER DIAGRAM			
THE PRINT AND ALL INFORMATION THEREON IS PROPERTY OF THE RBI DIVISION OF MESTEK, INC. NEITHER THE PRINT NOR THE INFORMATION THEREON MAY BE REPRODUCED OR USED IN ANY MANNER WHATSOEVER OR DIVULGED TO ANY OTHER PERSON UNLESS SPECIFICALLY AUTHORIZED BY MESTEK, INC.		CHECKED BY	DATE	DRAWING NUMBER			
		JAS	09/11/17	42-0636			
		APPROVED BY	DATE	SHEET	SHEET SIZE	SCALE	REVISION
		JPC	09/11/17	1 of 6	B	N/A	D

D

C

B

A

D

C

B

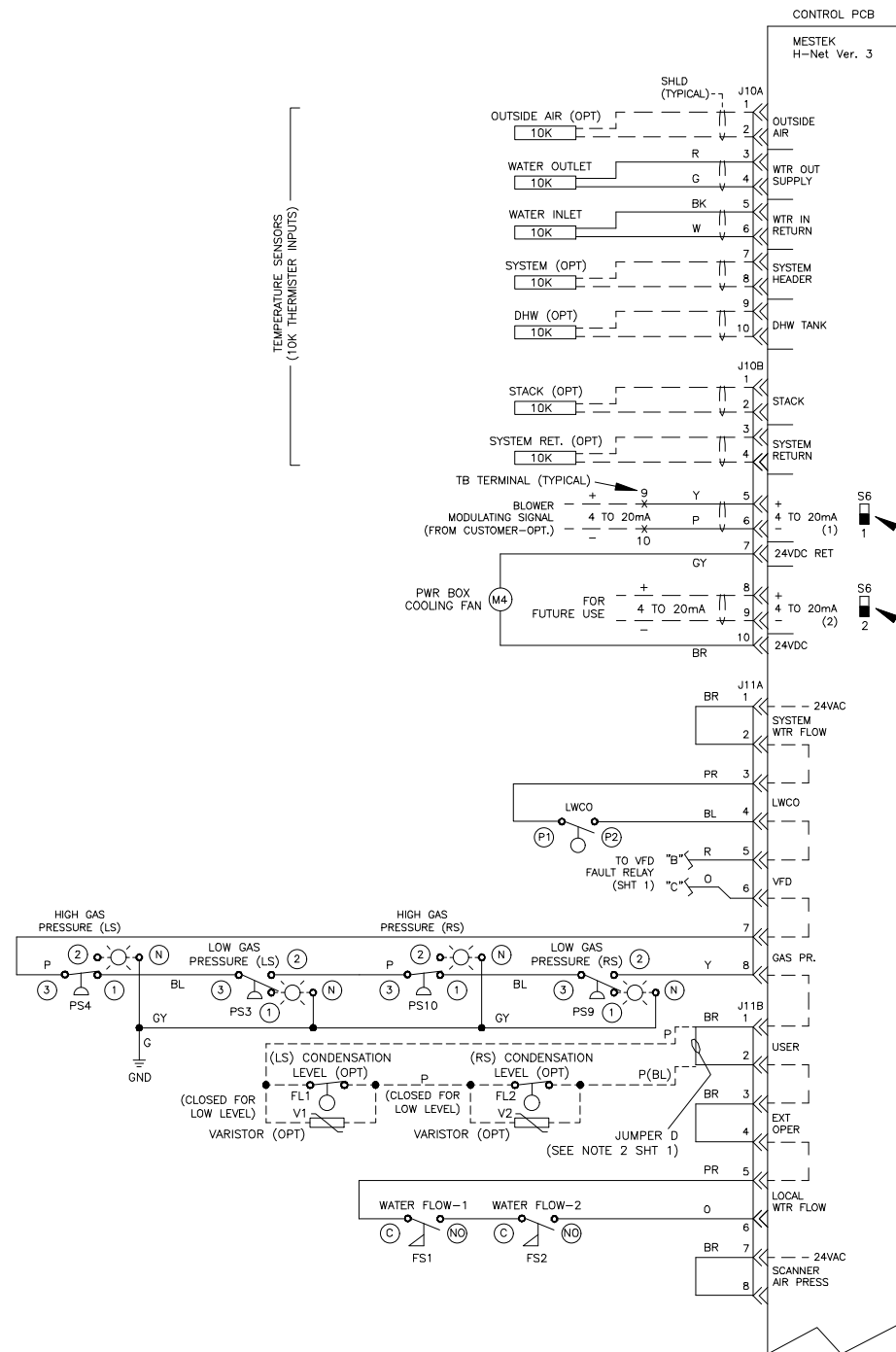
A

INTERLOCKS (DRY CONTACT OR JUMPER INPUTS)

TEMPERATURE SENSORS (10K THERMISTER INPUTS)

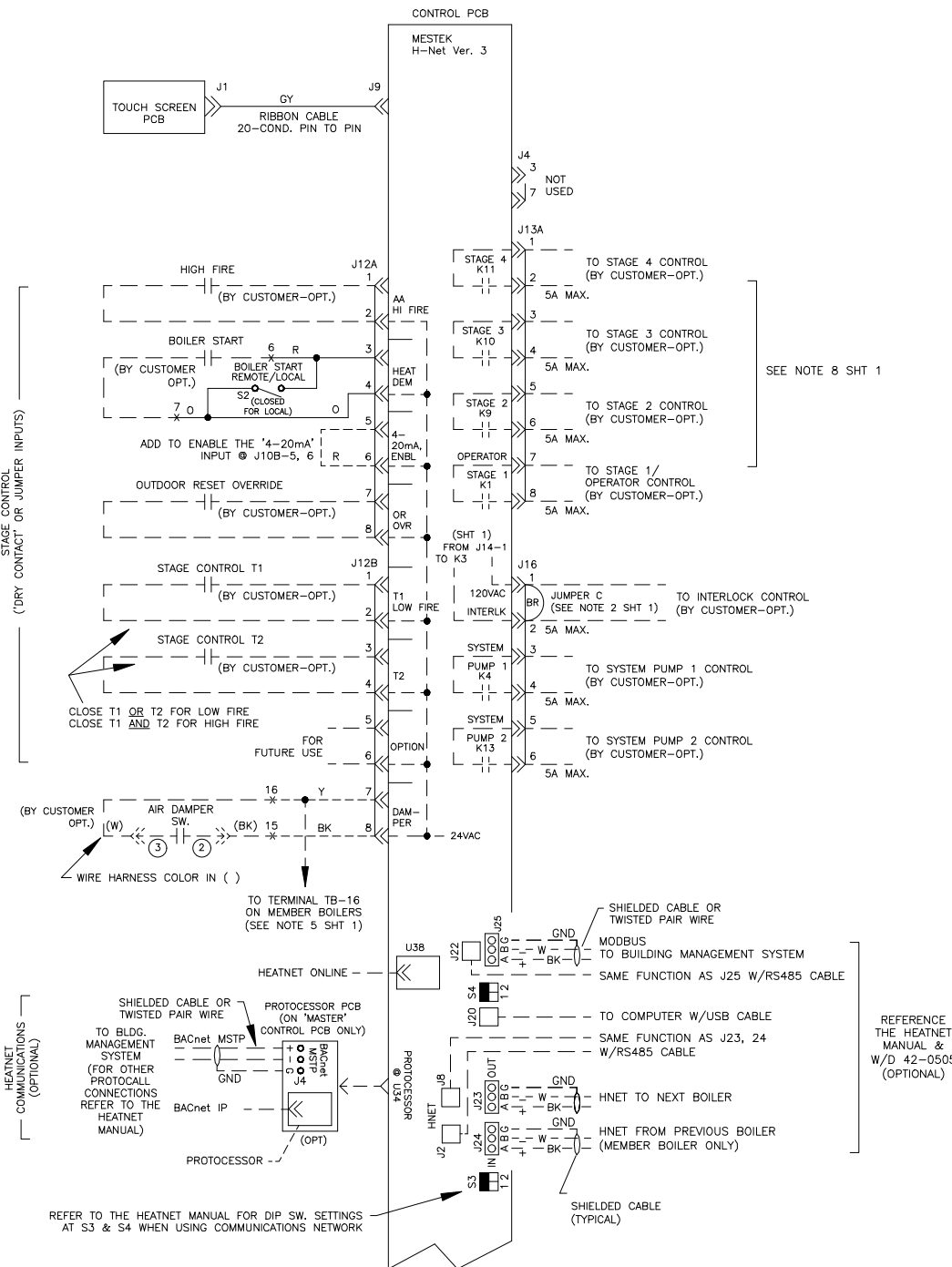
STAGE CONTROL (DRY CONTACT OR JUMPER INPUTS)

HEATNET COMMUNICATIONS (OPTIONAL)



MOVE S6-1 DOWN (UP) FOR 4-20mA (0-10V) INPUT @ J10B-5, 6

MOVE S6-2 DOWN (UP) FOR 4-20mA (0-10V) INPUT @ J10B-8, 9



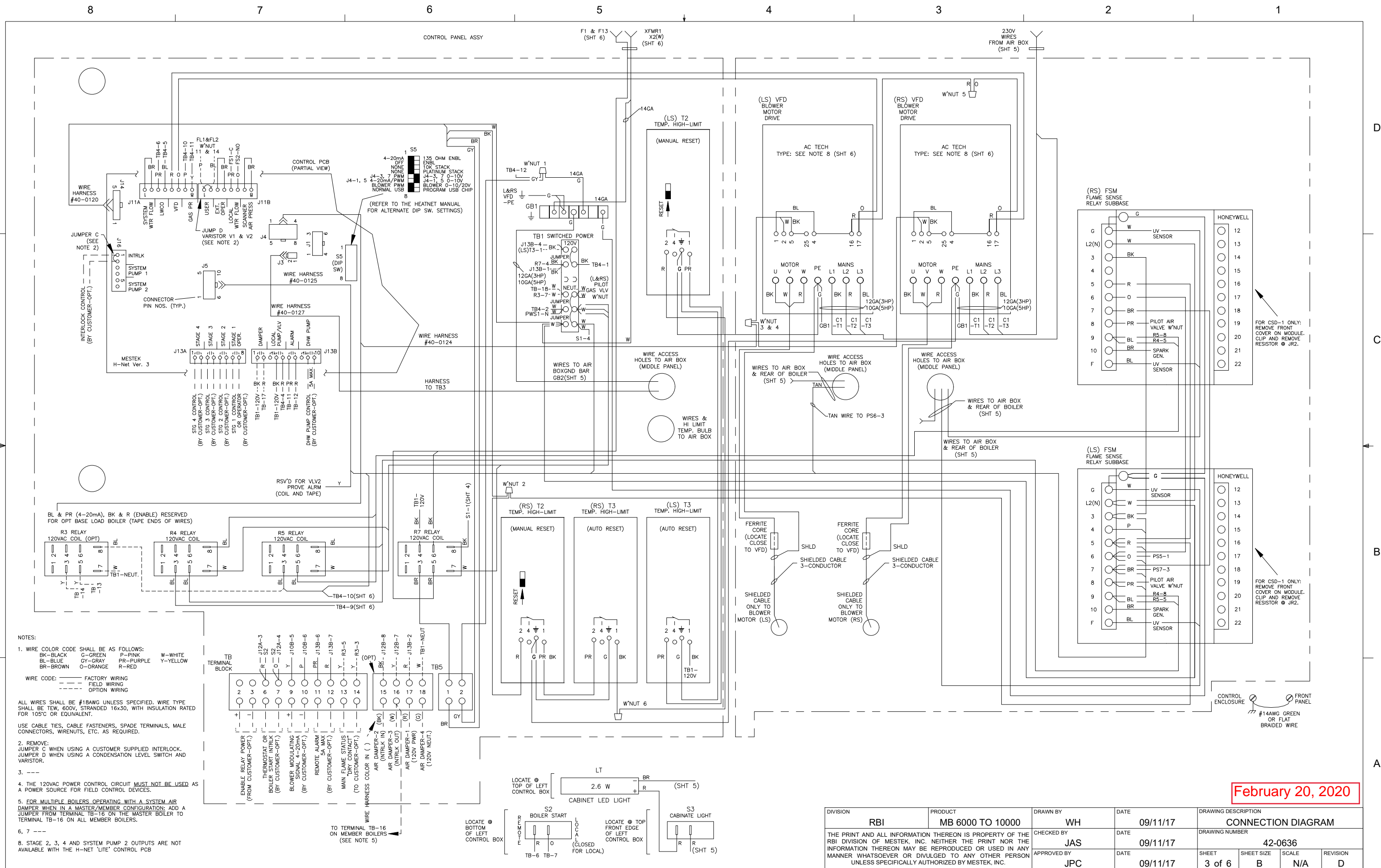
SEE NOTE 8 SHT 1

REFERENCE THE HEATNET MANUAL & W/D 42-0505 (OPTIONAL)

REFER TO THE HEATNET MANUAL FOR DIP SW. SETTINGS AT S3 & S4 WHEN USING COMMUNICATIONS NETWORK

February 20, 2020

DIVISION	PRODUCT	DRAWN BY	DATE	DRAWING DESCRIPTION			
RBI	MB 6000 TO 10000	WH	09/11/17	LADDER DIAGRAM			
THE PRINT AND ALL INFORMATION THEREON IS PROPERTY OF THE RBI DIVISION OF MESTEK, INC. NEITHER THE PRINT NOR THE INFORMATION THEREON MAY BE REPRODUCED OR USED IN ANY MANNER WHATSOEVER OR DIVULGED TO ANY OTHER PERSON UNLESS SPECIFICALLY AUTHORIZED BY MESTEK, INC.				CHECKED BY	DATE	DRAWING NUMBER	
				JAS	09/11/17	42-0636	
				APPROVED BY	DATE	SHEET	SHEET SIZE
				JPC	09/11/17	2 of 6	B
						SCALE	REVISION
						N/A	D



- NOTES:
1. WIRE COLOR CODE SHALL BE AS FOLLOWS:
 BK-BLACK G-GREEN P-PINK W-WHITE
 BL-BLUE GR-GRAY PR-PURPLE Y-YELLOW
 BR-BROWN O-ORANGE R-RED
 2. REMOVE JUMPER C WHEN USING A CUSTOMER SUPPLIED INTERLOCK. JUMPER D WHEN USING A CONDENSATION LEVEL SWITCH AND VARIATOR.
 3. ---
 4. THE 120VAC POWER CONTROL CIRCUIT MUST NOT BE USED AS A POWER SOURCE FOR FIELD CONTROL DEVICES.
 5. FOR MULTIPLE BOILERS OPERATING WITH A SYSTEM AIR DAMPER WHEN IN A MASTER/MEMBER CONFIGURATION: ADD A JUMPER FROM TERMINAL TB-16 ON THE MASTER BOILER TO TERMINAL TB-16 ON ALL MEMBER BOILERS.
 - 6, 7 ---
 8. STAGE 2, 3, 4 AND SYSTEM PUMP 2 OUTPUTS ARE NOT AVAILABLE WITH THE H-NET 'LITE' CONTROL PCB

DIVISION	PRODUCT	DRAWN BY	DATE	DRAWING DESCRIPTION		
RBI	MB 6000 TO 10000	WH	09/11/17	CONNECTION DIAGRAM		
THE PRINT AND ALL INFORMATION THEREON IS PROPERTY OF THE RBI DIVISION OF MESTEK, INC. NEITHER THE PRINT NOR THE INFORMATION THEREON MAY BE REPRODUCED OR USED IN ANY MANNER WHATSOEVER OR DIVULGED TO ANY OTHER PERSON UNLESS SPECIFICALLY AUTHORIZED BY MESTEK, INC.				CHECKED BY	DATE	DRAWING NUMBER
				JAS	09/11/17	42-0636
				APPROVED BY	DATE	SHEET SHEET SIZE SCALE REVISION
				JPC	09/11/17	3 of 6 B N/A D

D

C

B

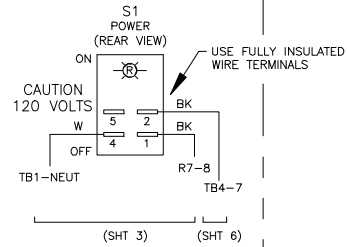
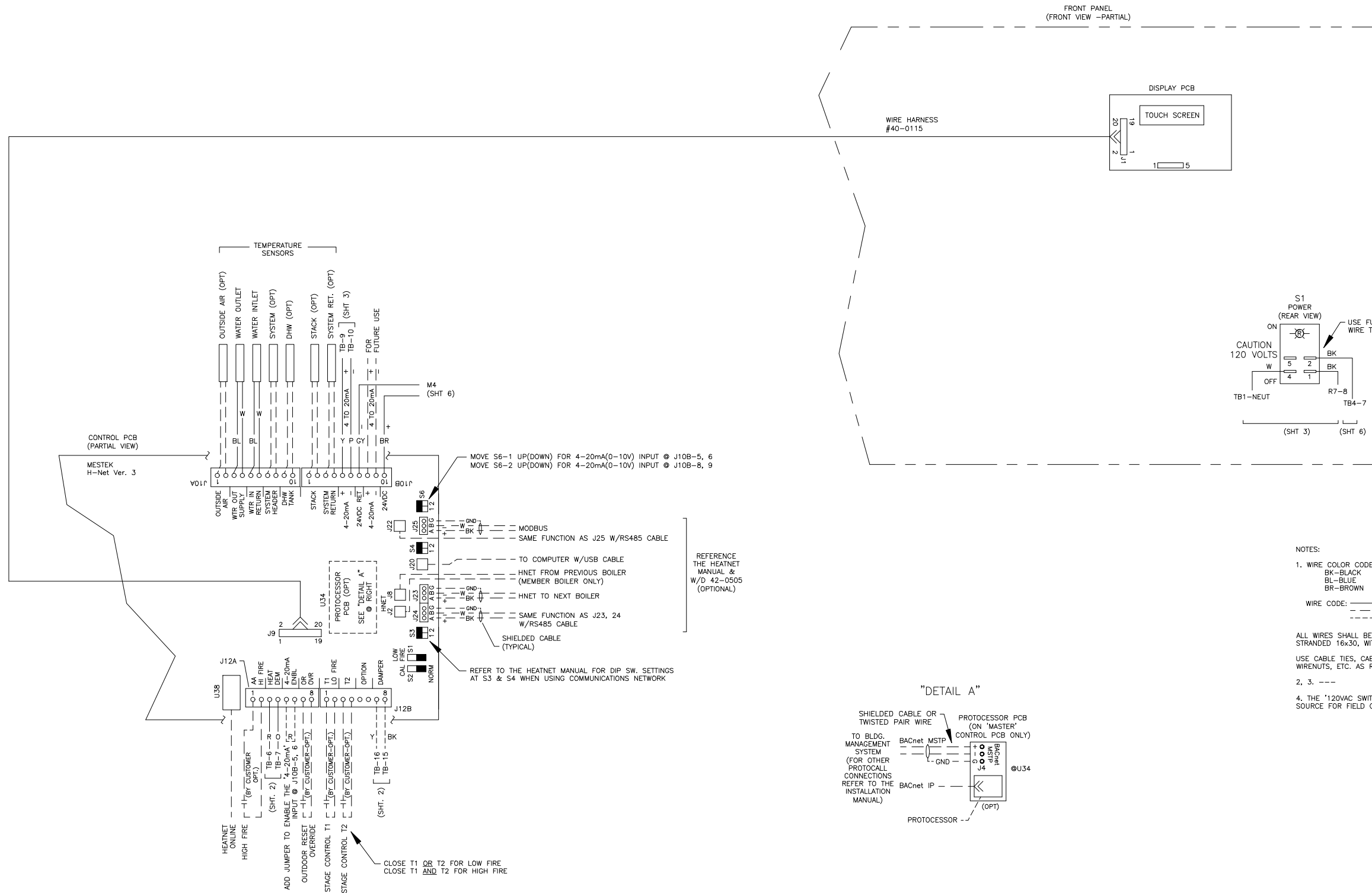
A

D

C

B

A

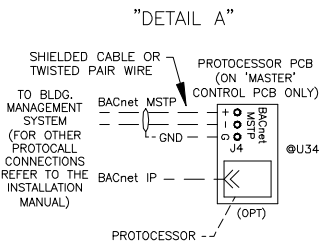


- NOTES:
1. WIRE COLOR CODE SHALL BE AS FOLLOWS:
BK-BLACK G-GREEN P-PINK W-WHITE
BL-BLUE GR-GRAY PR-PURPLE Y-YELLOW
BR-BROWN O-ORANGE R-RED
- WIRE CODE: ——— FACTORY WIRING
- - - - - FIELD WIRING
- · - · - OPTION WIRING

ALL WIRES SHALL BE #18AWG UNLESS SPECIFIED. WIRE TYPE SHALL BE TEW, 600V, STRANDED 16x30, WITH INSULATION RATED FOR 105°C OR EQUIVALENT.

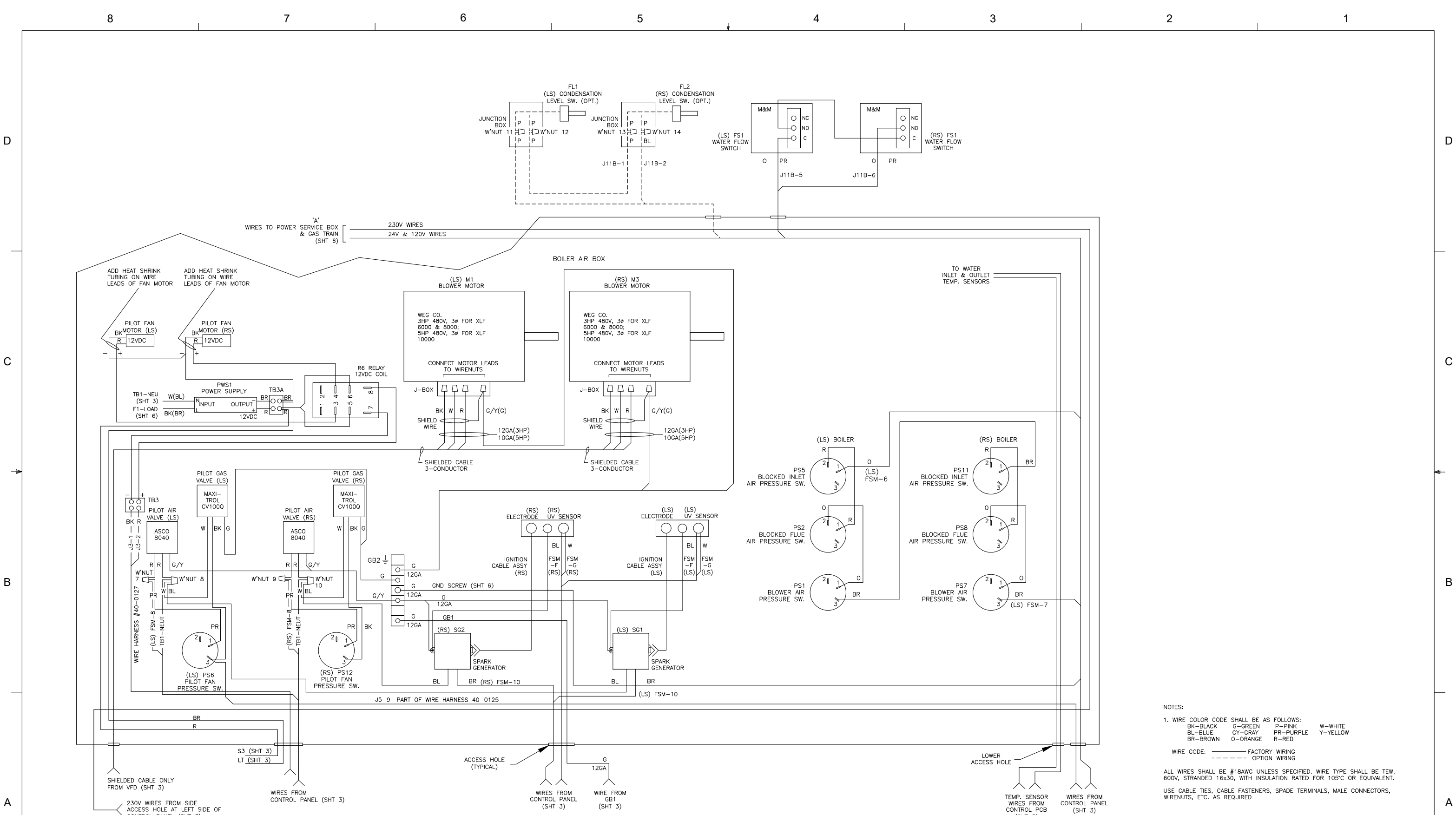
USE CABLE TIES, CABLE FASTENERS, SPADE TERMINALS, MALE CONNECTORS, WIRENUTS, ETC. AS REQUIRED.

- 2, 3. ---
4. THE '120VAC SWITCHED' CONTROL CIRCUIT **MUST NOT BE USED** AS A POWER SOURCE FOR FIELD CONTROL DEVICES.



February 20, 2020

DIVISION RBI	PRODUCT MB 6000 TO 10000	DRAWN BY WH	DATE 09/11/17	DRAWING DESCRIPTION CONNECTION DIAGRAM			
THE PRINT AND ALL INFORMATION THEREON IS PROPERTY OF THE RBI DIVISION OF MESTEK, INC. NEITHER THE PRINT NOR THE INFORMATION THEREON MAY BE REPRODUCED OR USED IN ANY MANNER WHATSOEVER OR DIVULGED TO ANY OTHER PERSON UNLESS SPECIFICALLY AUTHORIZED BY MESTEK, INC.				CHECKED BY JAS	DATE 09/11/17	DRAWING NUMBER 42-0636	
APPROVED BY JPC	DATE 09/11/17	SHEET 4 of 6	SHEET SIZE B	SCALE N/A	REVISION D		



NOTES:

1. WIRE COLOR CODE SHALL BE AS FOLLOWS:

BK-BLACK	G-GREEN	P-PINK	W-WHITE
BL-BLUE	GY-GRAY	PR-PURPLE	Y-YELLOW
BR-BROWN	O-ORANGE	R-RED	

WIRE CODE: _____ FACTORY WIRING
 - - - - - OPTION WIRING

ALL WIRES SHALL BE #18AWG UNLESS SPECIFIED. WIRE TYPE SHALL BE TEW, 600V, STRANDED 16x30, WITH INSULATION RATED FOR 105°C OR EQUIVALENT.

USE CABLE TIES, CABLE FASTENERS, SPADE TERMINALS, MALE CONNECTORS, WIRENUTS, ETC. AS REQUIRED

February 20, 2020

DIVISION	PRODUCT	DRAWN BY	DATE	DRAWING DESCRIPTION	
RBI	MB 6000 TO 10000	WH	09/11/17	CONNECTION DIAGRAM	
THE PRINT AND ALL INFORMATION THEREON IS PROPERTY OF THE RBI DIVISION OF MESTEK, INC. NEITHER THE PRINT NOR THE INFORMATION THEREON MAY BE REPRODUCED OR USED IN ANY MANNER WHATSOEVER OR DIVULGED TO ANY OTHER PERSON UNLESS SPECIFICALLY AUTHORIZED BY MESTEK, INC.		CHECKED BY	DATE	DRAWING NUMBER	
		JAS	09/11/17	42-0636	
		APPROVED BY	DATE	SHEET	SHEET SIZE
		JPC	09/11/17	5 of 6	B
				SCALE	REVISION
				N/A	D

D

C

B

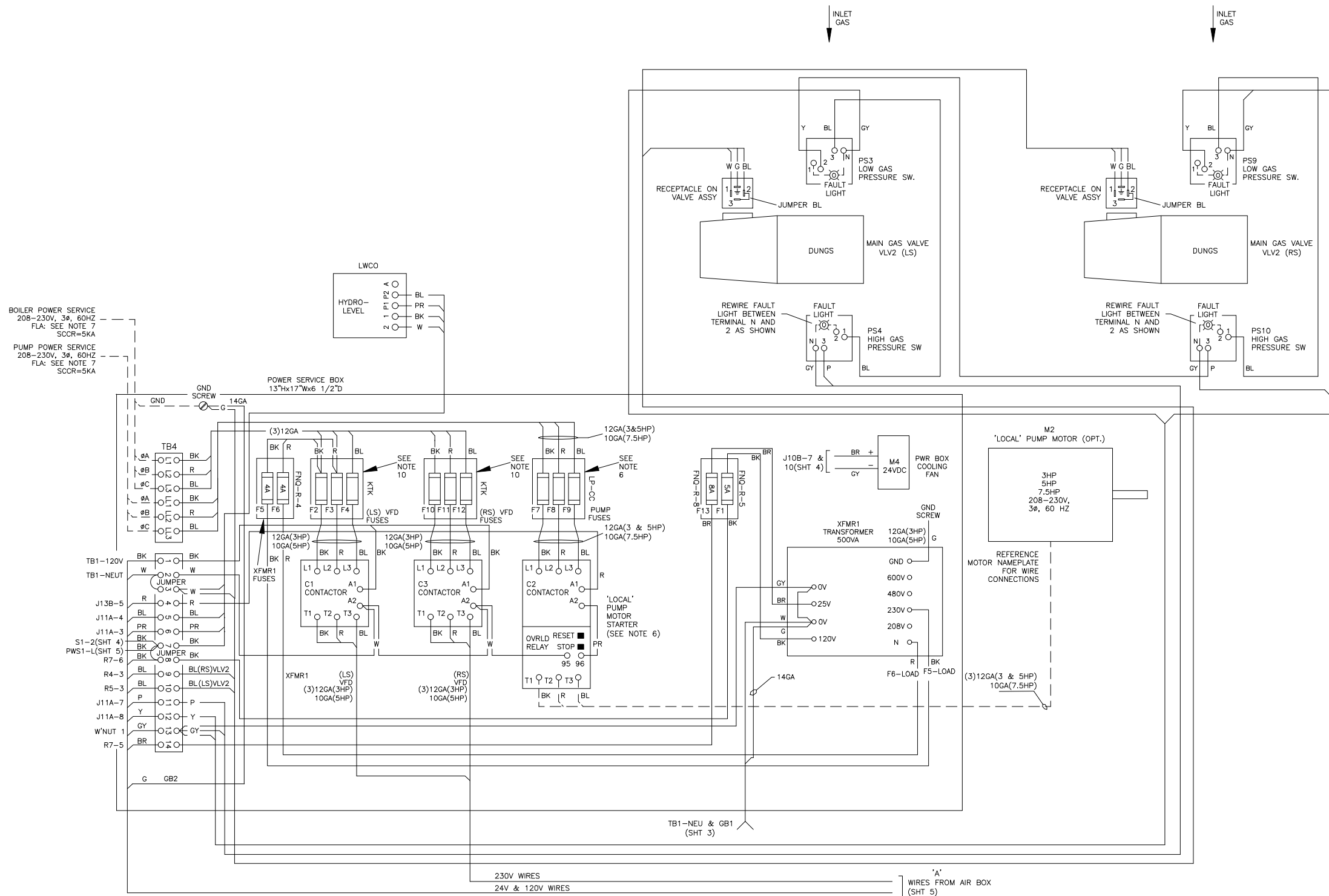
A

D

C

B

A



NOTES:

- ALL WIRES SHALL BE #18AWG UNLESS SPECIFIED. WIRE TYPE SHALL BE TEW, 600V, STRANDED 16x30, WITH INSULATION RATED FOR 105°C OR EQUIVALENT.
- WIRE COLOR CODE SHALL BE AS FOLLOWS:
 BK-BLACK G-GREEN P-PINK W-WHITE
 BL-BLUE GY-GRAY PR-PURPLE Y-YELLOW
 BR-BROWN O-ORANGE R-RED
- WIRE CODE: _____ FACTORY WIRING - - - - FIELD WIRING
 - - - - - OPTION WIRING
- USE CABLE TIES, CABLE FASTENERS, SPADE TERMINALS, MALE CONNECTORS, WIRENUTS, ETC. AS REQUIRED.
-
- POWER SERVICE CIRCUIT PROTECTION DEVICE SUPPLIED BY CUSTOMER.
-
- 'LOCAL' PUMP MOTOR CONTACTOR, OVERLOAD RELAY AND FUSE PART NOS. PER THE FOLLOWING:

	PUMP HP	208-230V, 3φ
CONTACTOR	3	LC1D18G7
SCHNEIDER ELECT.	5	LC1D25G7
	7.5	LC1D32G7
OVERLOAD	3	LRD21 (12-18A)
SCHNEIDER ELECT.	5	LR9D32 (6.4-32A)
	7.5	LR9D32 (6.4-32A)
PUMP FUSE	3	LP-CC-15
BUSSMANN OR EQUIVALENT	5	LP-CC-20
	7.5	LP-CC-30

7. POWER SERVICE AS FOLLOWS:

FLA FOR BOILER:

MODEL	208V	230V
MB & MW 6000 & 8000 3HP	18.4A	16.9A
MB & MW 10000 5HP	29.5A	26.9A

FLA FOR 'LOCAL' PUMP MOTOR:

PUMP HP	208V, 3φ	230V, 3φ
3	10.6A	9.6A
5	16.7A	15.2A
7.5	24.2A	22.0A

February 20, 2020

- VARIABLE FREQUENCY DRIVE:
 MODEL TYPE
 MB & MW 6000 & 8000 ESV222N02YXB
 MB & MW 10000 ESV402N02TXB
- THE FLA FOR VARIABLE FREQUENCY DRIVES:
 MODEL 208V 230V
 MB & MW 6000 & 8000 3HP 11.9A 10.8A
 MB & MW 10000 5HP 20.6A 18.6A
- VARIABLE FREQUENCY DRIVE FUSE:
 MODEL 208V 230V
 MB & MW 6000 & 8000 3HP KTK-15 KTK-15
 MB & MW 10000 5HP KTK-20 KTK-20
- VARIABLE FREQUENCY DRIVE CONTACTOR:
 MODEL 208V 230V
 MB & MW 6000 & 8000 LC1D18G7 LC1D18G7
 MB & MW 10000 LC1D25G7 LC1D25G7

DIVISION RBI	PRODUCT MB 6000 TO 10000	DRAWN BY WH	DATE 09/11/17	DRAWING DESCRIPTION CONNECTION DIAGRAM		
THE PRINT AND ALL INFORMATION THEREON IS PROPERTY OF THE RBI DIVISION OF MESTEK, INC. NEITHER THE PRINT NOR THE INFORMATION THEREON MAY BE REPRODUCED OR USED IN ANY MANNER WHATSOEVER OR DIVULGED TO ANY OTHER PERSON UNLESS SPECIFICALLY AUTHORIZED BY MESTEK, INC.		CHECKED BY JAS	DATE 09/11/17	DRAWING NUMBER 42-0636		
APPROVED BY JPC	DATE 09/11/17	SHEET 6 of 6	SHEET SIZE B	SCALE N/A	REVISION D	